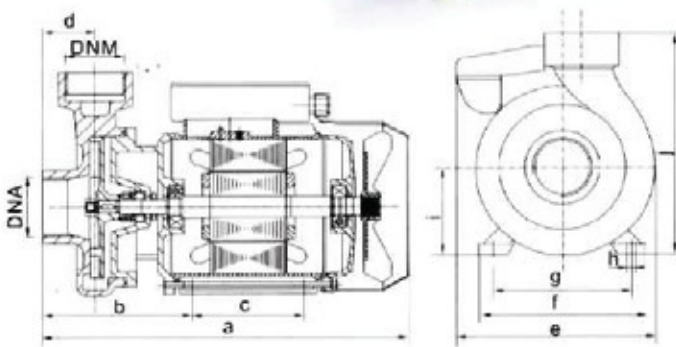


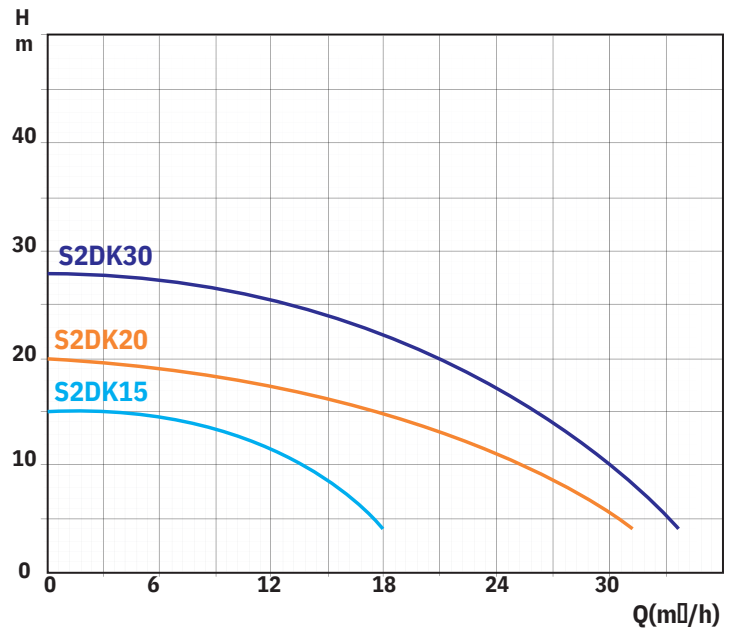
## S2DK SERIES CENTRIFUGAL PUMP

Performance Table

Model	HP	KW	DNA/DNM	Q.Max L/min	H.Max m	Q. m <sup>3</sup> /h	FLOWRATE						Weight kg
							0	6	12	18	24	30	
S2DK15	1.5	1.1	2" / 2"	480	15	H(m)	15	14.5	11.2	4			18
S2DK20	2	1.5	2" / 2"	520	20		20	19	17.5	15	11	5.8	19.55
S2DK30	3	2.2	2" / 2"	560	28		28	27.5	25.5	22	17	10	24



S2DK Pump Performance Curve



Model	Dimensions (mm)											
	DNA	DNM	a	b	c	d	e	f	h	j	g	i
S2DK15	2"	2"	360	167	95	72	220	153	125	12	92	218
S2DK20	2"	2"	360	167	95	72	220	153	125	12	92	218
S2DK30	2"	2"	360	167	95	72	220	153	125	12	92	218

### Features

- ✓ 100% Copper Winding.
- ✓ Brass Impeller.
- ✓ Built-in Thermal Protection.
- ✓ NSK Bearing.

