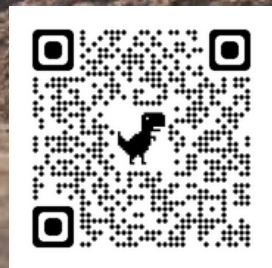




TATA INTERNATIONAL KENYA

TATA TIPPER LPK 2516



EQUIPMENT SALES KENYA LTD

"Your Quality Equipment Partner"

+254 728 355530



+254 712 646360



www.eskl.co.ke



P.O. BOX 31853-00600
Nairobi.



sales@eskl.co.ke



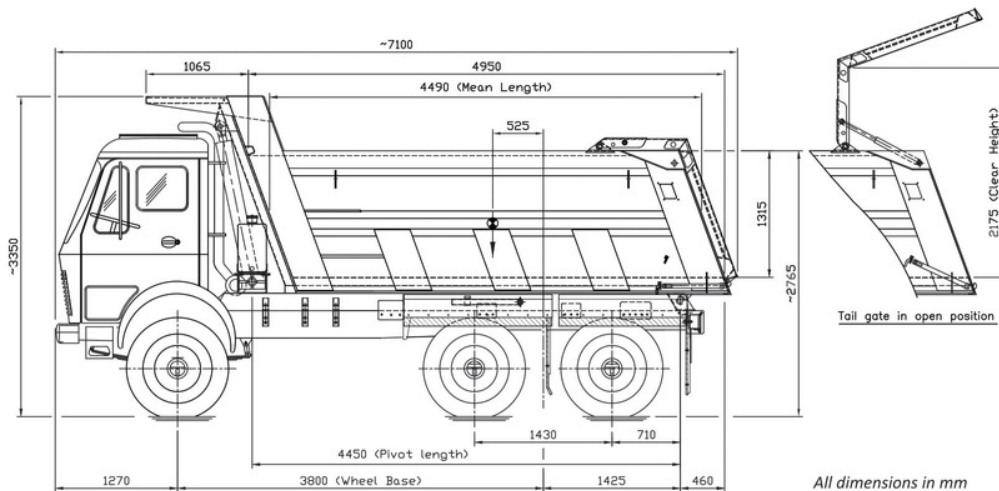
Thika Rd, Exit 10 Next
to Kenya Clay

TATA Tipper LPK 2516



| | |
|-------------------------|---|
| ENGINE | |
| Model | CUMMINS 6BT 5.9 |
| No.of Cylinders | 6 |
| Capacity | 5883 cc |
| Max.Engine Output | 160 Hp @ 2500 rpm |
| Max.Torque | 550 Nm @ 1500 rpm |
| CLUTCH | |
| | 352 mm |
| GEAR BOX | |
| Type | Tata GB600 |
| No.of Gears | 6 F + 1 R |
| FRONT AXLE | |
| | Extra heavy duty forged I beam reverse |
| REAR AXLE | |
| Type | Tata RA109 RR |
| Ratio | Single reduction 6.83 |
| STEERING | |
| | Power steering |
| SUSPENSION | |
| Type | Semi elliptical leaf spring at front and rear |
| Shock Absorber | Hydraulic double acting telescopic type at front only |
| BRAKES | |
| Service Brakes | Dual circuit, full Air S-CAM brake |
| Engine Exhaust Brakes | Pneumatically operated and coupled with service brake |
| WHEELS AND TYRES | |
| Tyres | 10 X 20 16PR |
| Wheel Rims | 7.5 X 20 |
| No.of Wheels | Front - 2, Rear - 8, Spare - 1 |

| | |
|-----------------------------------|--------------------------|
| FUEL TANK | |
| Capacity | 250 Litres |
| CAB | |
| | Full forward Fixed Cabin |
| ELECTRICAL SYSTEMS | |
| Battery | 12 Volts |
| Alternator | 45 Amps |
| DIMENSIONS (MM) | |
| Wheel Base | 3880 |
| Max. Width | 2400 |
| Overall Length | 6830 |
| Turning Circle Dia. | 18200 |
| PERFORMANCE | |
| Max. Speed | 70 kmph |
| Max. Climbing Ability in 1st Gear | 22% |
| WEIGHTS (KGS) | |
| Kerb Weight (UNLADEN_WT) | 6963 Kg |
| Max. Permissible GVW | 25000 Kg |
| CUBIC CAPACITY | |
| Box Type | 14 cu. m. |
| Scoop Type | 12 cu. m. |



+254 728 355530



www.eskl.co.ke



sales@eskl.co.ke



+254 712 646360



P.O. BOX 31853-00600
Nairobi.



Thika Rd, Exit 10 Next to Kenya Clay